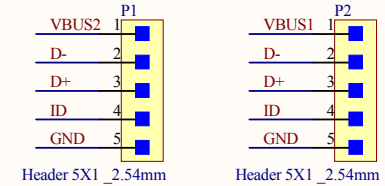
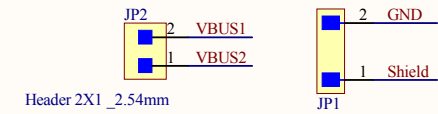
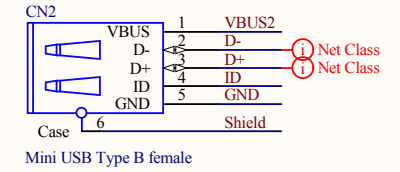
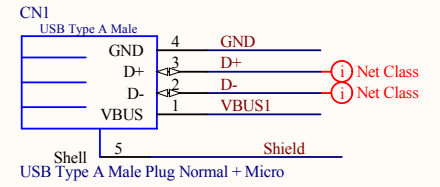
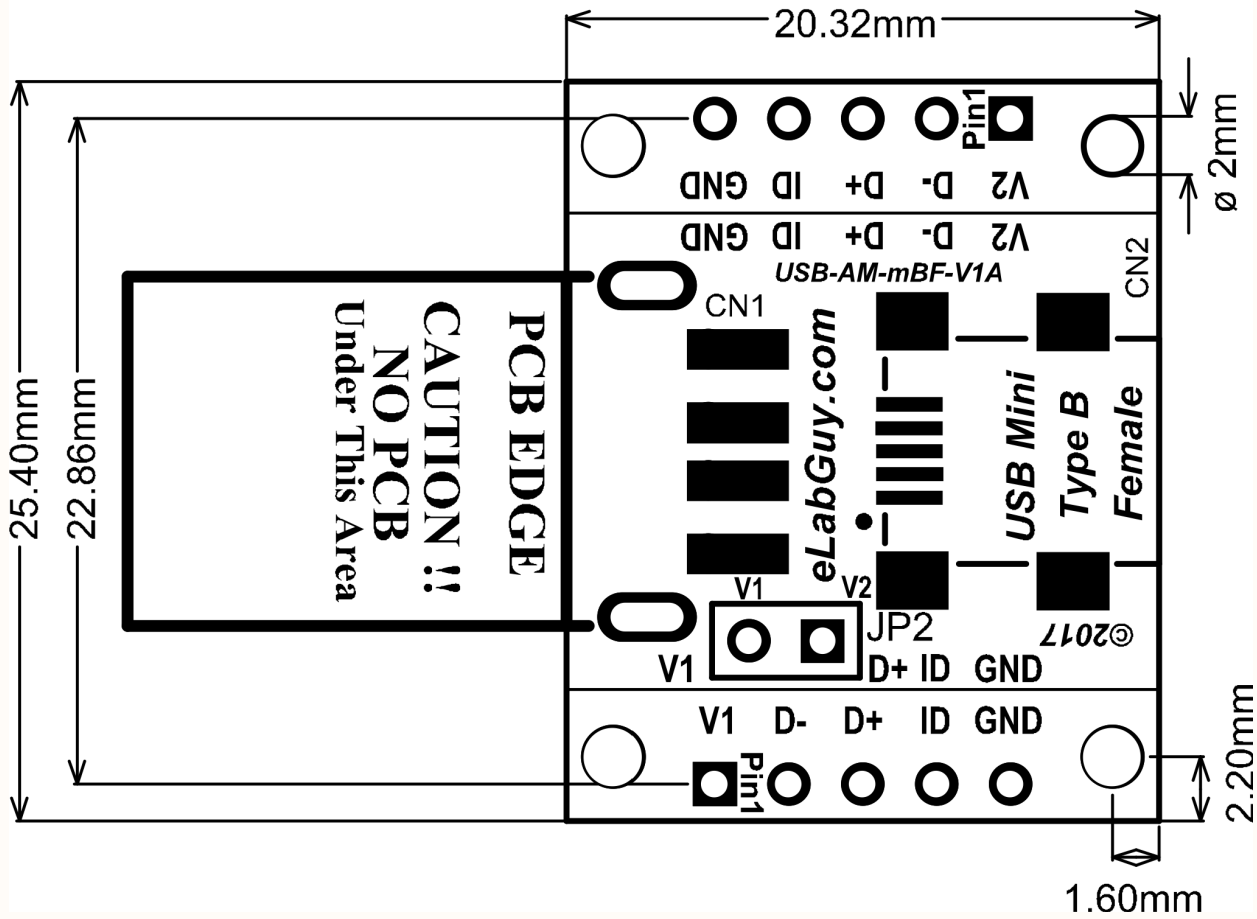


* 1.6mm THICK FR4 (2 LAYER BOARD)



Title		
USB2.0 Type A Male to Mini Type B Female Breakout		
Size	Number	Revision
A4	USB-AM-mBF-V1A	1A
Date:	9/6/2017	Sheet of
File:	C:\Users\...USB-AM-mBF-V1A Drawing	Sheet No. By: www.eLabGuy.com